



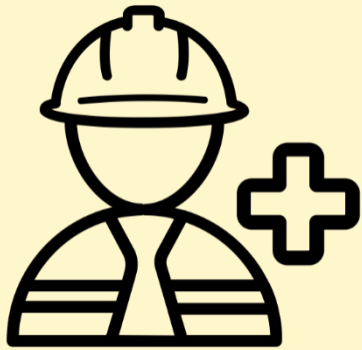
Safe and Healthy Workplace Solutions

Anthony Gross
Strategic Account Executive

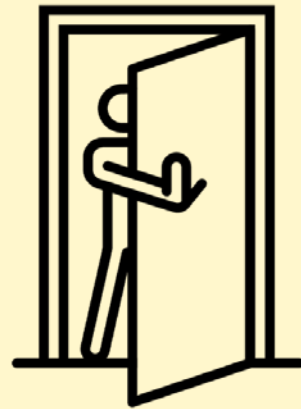


Factory Floor to the Retail Door

Alleviate anxiety, eliminate apprehension, and build confidence and compliance in a clean workspace.



Health and Human Safety
Directors Looking for
Solutions



Retail and Industrial
Locations Need Solutions
to Limit the People Traffic



Facilities Need to Show
Compliance to Get
Operations Online



Companies Will Look to
Automate New
Cleaning Routines

- Capacity and Density Management of People

Automated and Manual Counting and Visual Prevention of People Entering and Exiting Commercial and Industrial Areas

- Work Cell and Work Space Cleaning

Scheduling, Automation, and Reporting of Sanitation and Cleaning Tasks for Industrial, Retail, and Commercial Environments

- Touchless Switching and Indication

Non-Contact Switching and Visual Indicators for Clean and Safe Activity that Requires Physical Interactions or Confirmation

Industries and Work Space Successes

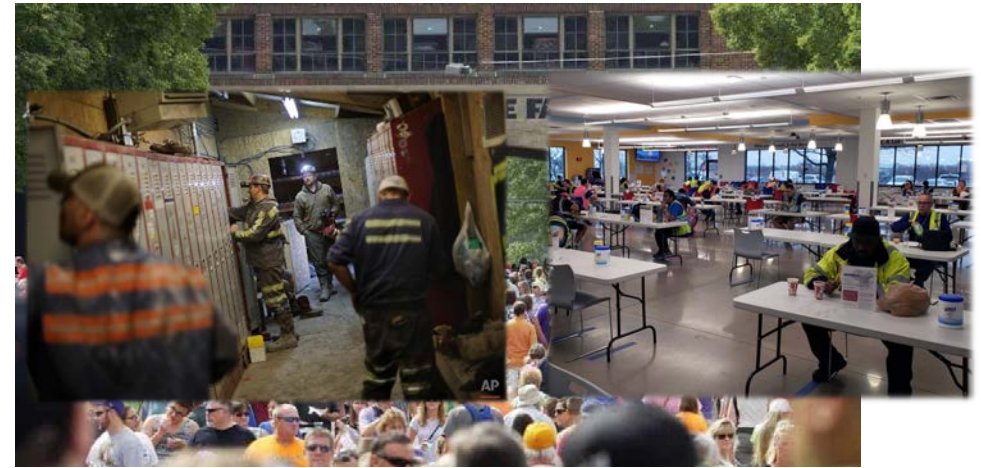


■ Industrial Common Work Areas

Areas of manufacturing and logistics that are bottle necks for human activity or require multiple people accessing same equipment.

■ Retail Environments

Any commercial retail environments from large big box retailers to restaurants to fitness.



Capacity and Density Management of People

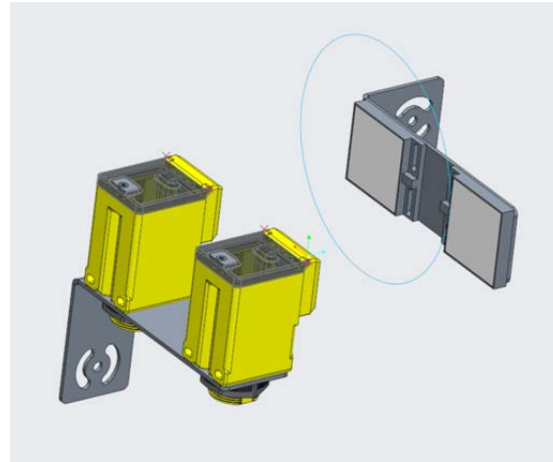


- Direct Select as an Operator Interface for reporting and toggling a manual count of the number of customers or employees in a store or location
- Automated people count with wireless directional photoelectric pairs
- Clear, intuitive, and highly visual Tower Lights to notify people if they are OK to enter
- Visual permission status can be replicated in multiple entrances and areas
- Count information is logged locally and can be transmitted to cloud for compliance and trending

Automated People Counting and Management



Directional Sensor pair at each door tracks count up/down for people entering and or leaving a building, store, or area of a facility. Provides # of people within the location.



Values shared with other locations (supervisor station, buttons disabled)



Traffic light indicates if the next person can enter.

Signal can be replicated to multiple entrances.



Occupancy Counting - Automated



Power Supply
PSW-24-1
Item: 803521



Controller
DXM1200-B1R1
Item: 801553



Photo-Eye Pair
DX80N9Q45LVDIR
Item: 810011

Bracket and Reflective Targets



Remote Indicator
New
Item: TBD

Bracket -
LMB30LP/808590



Operator Interface
DX80N9DSTS
Item: 808588

OSK (Total Count) BOMs

Total facility occupancy count application



OSK9-1TC (One Door – Total Count)

- DXM1200 Special programmed
- (2) Power supply wall wart (2)
- Ethernet cable to M8 (Std in DXM)
- (1) Sensor Pair – In process
- (2) Std Q45 hardware pack but with metal nut
- (1) Q45 Bracket TBD (Bob Schlosser) with 2 self tapping metal screws
- (1) Same as above but with reflectors (TBD)
- (1) TL70 Tower light with special logo segments
- (1) TL70 bracket with hardware (include self tapping metal screws)
- (1) Direct Select Operator Interface
- Box to hold all above (in their own respective boxes)
- Banner CDS Card
- Literature quick start guide

OSK9-2TC (2 Door Total Count)

- DXM1200 Special programmed
- (3) Power supply wall wart
- Ethernet cable to M8 (Std in DXM)
- (2) Sensor Pair – In process
- (4) Std Q45 hardware pack but with metal nut
- (2) Q45 Bracket TBD (Bob Schlosser) with 2 self tapping metal screws
- (2) Same as above but with reflectors (TBD)
- (2) TL70 Tower light with special logo segments
- (2) TL70 bracket with hardware (include self tapping metal screws)
- (1) Direct Select Operator Interface
- Box to hold all above (in their own respective boxes)
- Banner CDS card
- Literature quick start guide

OSK9-4TC (4 Door Total Count)

- DXM1200 Special programmed
- (5) Power supply wall wart
- Ethernet cable to M8 (Std in DXM)
- (4) Sensor Pair – In process
- (8) Std Q45 hardware pack but with metal nut
- (4) Q45 Bracket TBD (Bob Schlosser) with 2 self tapping metal screws
- (4) Same as above but with reflectors (TBD)
- (4) TL70 Tower light with special logo segments
- (4) TL70 bracket with hardware (include self tapping metal screws)
- (1) Direct Select Operator Interface
- Box to hold all above (in their own respective boxes)
- Banner CDS card
- Literature quick start guide

OSK (Multiple Count) BOMs

Multiple counting points within a facility application



OSK9-2MC (2 Door Multiple Count)

- DXM1200 Special programmed
- (3) Power supply wall wart
- Ethernet cable to M8 (Std in DXM)
- (2) Sensor Pair – In process
- (4) Std Q45 hardware pack but with metal nut
- (2) Q45 Bracket TBD (Bob Schlosser) with 2 self tapping metal screws
- (2) Same as above but with reflectors (TBD)
- (2) TL70 Tower light with special logo segments
- (2) TL70 bracket with hardware (include self tapping metal screws)
- (2) Direct Select Operator Interface
- Box to hold all above (in their own respective boxes)
- Banner CDS card
- Literature quick start guide

OSK9-4MC (4 Door Multiple Count)

- DXM1200 Special programmed
- (5) Power supply wall wart
- Ethernet cable to M8 (Std in DXM)
- (4) Sensor Pair – In process
- (8) Std Q45 hardware pack but with metal nut
- (4) Q45 Bracket TBD (Bob Schlosser) with 2 self tapping metal screws
- (4) Same as above but with reflectors (TBD)
- (4) TL70 Tower light with special logo segments
- (4) TL70 bracket with hardware (include self tapping metal screws)
- (4) Direct Select Operator Interface
- Box to hold all above (in their own respective boxes)
- Banner CDS card
- Literature quick start guide

* If only one door use OSK9-1TC

Manual People Counting and Management



Employee at entrance increments up for each person that enters



Values gets shared other locations and supervisor stations



Employee at exit increments down for each person that leaves and value gets distributed



Traffic light indicates if the next person can enter. Signal can be replicated to multiple entrances.



Occupancy Counting - Manual



Power Supply
PSW-24-1
Item: 80352



Controller
DXM1200-B1R1
Item: 801553



Remote Indicator
TL70 Assembly
Item: see guide



Operator Interface
DX80N9DSTS
Item: 808588

Work Station Sanitation Timing and Automation



- Create and monitor a schedule for cleaning and sanitation of work
- Show countdown time for hand washing station; management can track how many hand washes have occurred
- Timer function controlled by DXM, can be adjusted locally at the controller or online using Banner CDS
- Can be triggered by clock with no employee interaction (up to 20 per 24-hour clock)

Work Station Sanitation Timing and Automation



Power Supply
PSW-24-1
Item: 803521



Controller
DXM1200-B1R1
Item: 801553



Up to 20

Operator Interface
DX80N9DSTS
Item: 808588



Up to 20

Remote Indicator
K70DXN9GYRQ
Item: 97897



SSK9-4CT Cycle Time Application

DXM1200 Special programmed

- (5) Power supply wall warts
- (4) Direct Select Operator Interfaces
- Ethernet cable to M8 (Std in DXM)
- (1) K70 light with special logo segments
- (1) K70 bracket with hardware (include self tapping metal screws)
- Box to hold all above (in their own respective boxes)
- Banner CDS Card
- Literature quick start guide

SSK9-4SA Scheduler Application

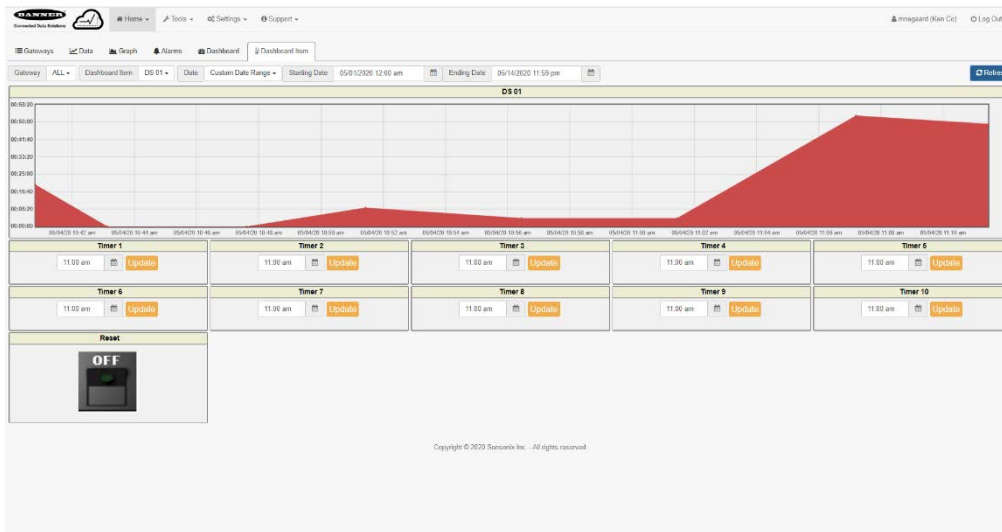
- DXM1200 Special programmed
- (5) Power supply wall warts
- (4) Direct Select Operator Interfaces
- Ethernet cable to M8 (Std in DXM)
- (2) K70 Tower light with special logo segments
- (2) K70 bracket with hardware (include self tapping metal screws)
- Box to hold all above (in their own respective boxes)
- Banner CDS card
- Literature quick start guide

Cloud Dashboards and Reporting



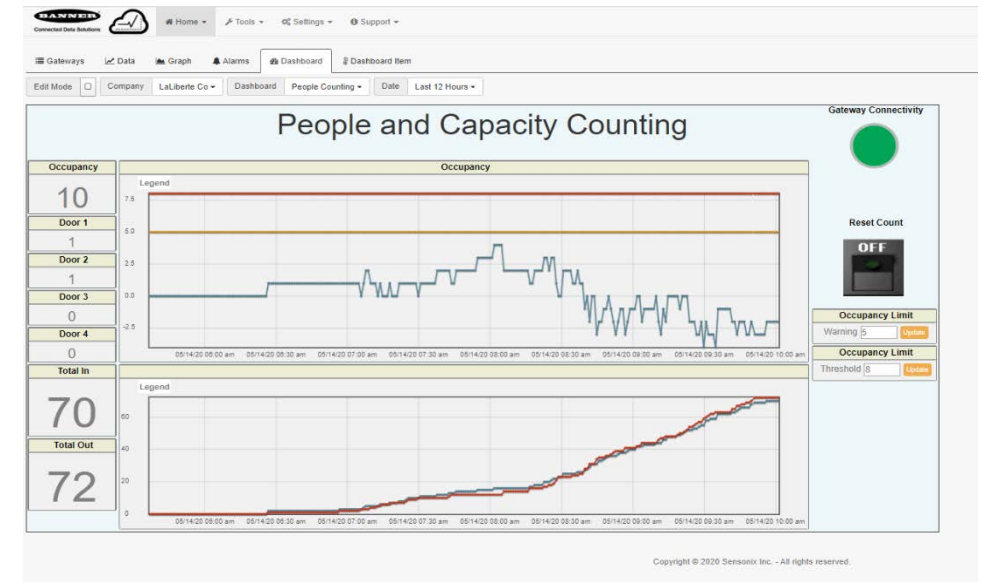
Cleaning Automation and Scheduling

The Banner Cloud solution offers the ability to create your sanitization schedule remotely, monitor compliance, and analyze data from station to station.



People and Capacity Management

The Banner cloud allows the users to analyze traffic trends, download data for compliance, and manage occupancy limits for all facilities remotely.

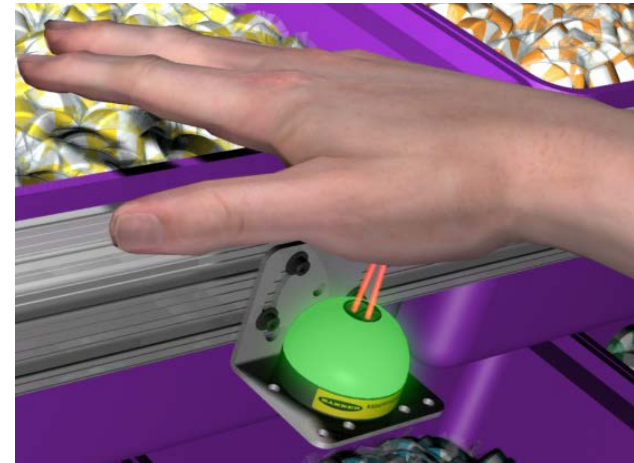


Non-Contact Switching and Activation



Non-Contact Initiation

- Use output to control almost anything
- Integral timer + visual indication option
 - Ensure proper washing
 - Maximize workforce health and confidence
- Easy-to-clean touch models available

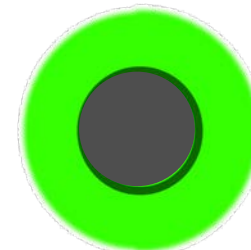


Classic
K50APFF100GRCQ
Item: 76229
List \$119



Pro Touch IO-Link
K50PTKQ
Item: 806180

Pro Touch PICK-IQ
K50PTSQ
Item: 808256



Pro Optical IO-Link
K50FF100KQ
Item: 808238

Pro Optical PICK-IQ
K50FF100SQ
Item: 808244



Directional Sensors		
900 MHz	810011	DX80N9Q45LV/DIR
	810012	DX80N9Q45LV/DIR-NB
2.4 GHz	810013	DX80N2Q45LV/DIR
	810014	DX80N2Q45LV/DIR-NB



Sensor Bracket	
810046	SMBQ45PC



Reflectors with Bracket (premounted)	
810047	SMBRPC



Laser Etched TL70 (bracket included)		
Enter Segment: 809967		SG-TL70-G-ENTERI
Stop Segment: 809965		SG-TL70-R-STOPI
Wired Base: 92226		B-TL70-Q5
900 MHz	Wireless Base: 94229	B-TL70DXN9-Q5
2.4 GHz	Wireless Base: 94217	B-TL70DXN2-Q5



Direct Select		
900 MHz	808588	DX80N9DSTS
	808636	DX80N9DSTS-NB
2.4 GHz	808589	DX80N2DSTS
	808637	DX80N2DSTS-NB



DXM Series		
US	801553	DXM1200-B1R1
	802375	SXI-LTE-001
EU	805550	DXM1200-B1R3
	95659	SXI-QSM-001



Power Supplies	
803521	PSW-24-1

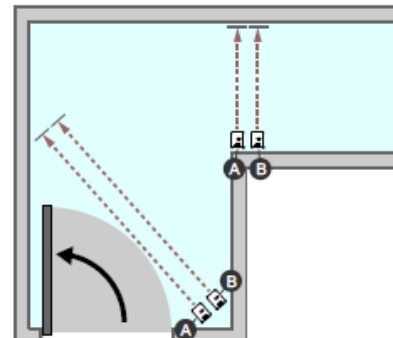


Double-Ended Cordsets	
79881	MQDEC-402SS
47632	MQDEC-406SS
47634	MQDEC-420SS

L-type Doors

For occupancy monitoring in areas with an L-type door configuration, Banner recommends mounting the devices on the inside of the door so that the door does not activate the sensors when it is opened.

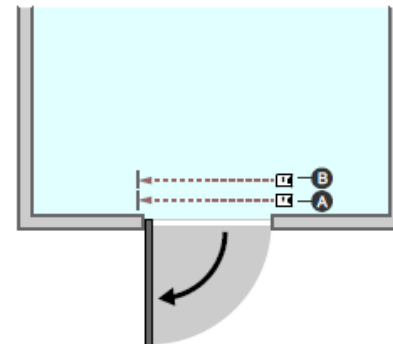
Avoid mounting the sensors in areas where people will stand and block the sensors.



Outward Opening Doors

For occupancy monitoring in areas with outward opening doors, Banner recommends mounting the devices on the inside of the door as close as possible to the door.

Avoid mounting the sensors in areas where people will stand and block the sensors.

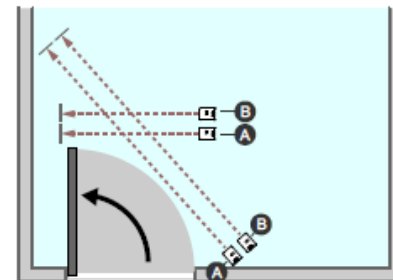


Inward Opening Doors

For occupancy monitoring in areas with inward opening doors, Banner recommends mounting the devices on the inside of the door, far enough from the door that the door does not trip the sensor pair when opening.

Avoid mounting the sensors in areas where people will stand and block the sensors.

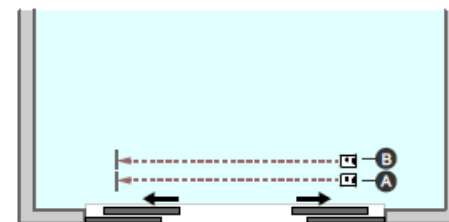
Banner recommends using accessory mounting stands if a rigid mounting surface is not available.



Sliding Doors

For occupancy monitoring in areas with sliding doors, Banner recommends mounting the devices on the inside of the door as close as possible to the door.

Avoid mounting the sensors in areas where people will stand and may block the sensors.



BANNER

